

Introduction

Diaphragm Valves proved to be the answer to many process engineers' greatest desire of reliability at an acceptable cost of ownership. Of simple and reliable design, diaphragm valves offer secure operation with full leaktight at the plant. The maintenance, when required, is limited to the replacement of the diaphragm, the bolted bonnet design permits to dismantle the valve without removing the valve body from the pipe work.

The body seatless design eases the internal lining, which opens a broad range to inexpensive options to process engineers when selecting materials resistant to corrosion and abrasion duties. Conventional isolating valves would demand expensive exotic materials to resist the effects of severe corrosion whereas a duly lined iron based material can do the job.

DIAVAL portfolio clearly meets the requirements of modern industrial processes and the needs of all engineers. Through constant product development and own polymer research technology, **DIAVAL®** Diaphragm Valves are a reliable alternative to existing costly and expensive to maintain conventional valves.

DIAVAL INTERNATIONAL manufacture one of the largest Diaphragm Valves portfolio comprehensive of body linings, diaphragm grades and actuation currently available in the international market. Your **DIAVAL®** Team is available to guide you along a great cost saving experience.



DIAVAL® range of superior design and major cost saving benefits, for secure and full leaktight operation under the most severe circumstances.

The **DIAVAL®** range is totally interchangeable with other diaphragm valves in the market thus easing the plant choice.

Valve stroke Indicator; a yellow position indicator gives clear and positive valve position from any angle.

Greased for life valve spindle; spindle chamber incorporates a grease reservoir that lubricates the spindle along operations thus avoiding valve spindle jamming. Sealed bonnet arrangements available for toxic and hazardous fluids.

Valve stroke stopper; the bonnet design prevents over closure of the valve thus avoiding early diaphragm rupture.

Ergonomically Design Hand wheel; great comfort and ease of operation. Other operation options such as actuators, padlocks, interlocking, extended spindle and others are available from **DIAVAL®**.

Self draining; Weir valves are self draining when installed at an angle of 20° above horizontal. ST and Full Flow valves are self cleaning with an unobstructed bore.

Diaphragms; wide range of diaphragm materials to meet the needs of today's industrial processes and standards. Resilient diaphragms provides 100% leak-tight shut off and isolates all bonnet parts from the line fluid.

Safety; Optional Sealed bonnet arrangements available for toxic and hazardous fluids, Interlocking arrangement, padlocking and flange sealing coating.

Linings; porous free chemically resistant linings designed to eliminate the need of expensive metals. Wide range of polymers and fluoropolymers available to match all industrial needs. Full face rubber lining removes the need for gaskets unlike spigot face lining.

Body end connections; flanged and screwed ends to meet all European, Imperial and American standards. Other end styles available for the aseptic range.

Design Attributes

Weir Type Diaphragm Valves are linear motion valves, bidirectional, for stopping or regulating the flow of the service fluid when necessary. Valves close by turning the handwheel clockwise. Valves are bolted bonnet, seatless design, with a diaphragm as closure element, with rising handwheel. Valves are offered with a broad range of diaphragms and linings materials to resist to abrasion and corrosion duties. The valves are inexpensive and easy to maintain, being the optimal solution for a large number of applications.

Yellow position indicator, for clear and positive valve position from any angle

Nameplate incl. batch no. for full traceability

Closure Diaphragms; manufactured from elastomeric and fluorocarbon materials; provide 100% seating tightness in both directions while isolating the valve trim from fluid. Wide choice of polymers to satisfy any industrial application

Ergonomic and rugged rising handwheel

Grease reservoir integrated in the spindle chamber that lubricates the spindle along operations thus avoiding valve spindle jamming

Witness hole to detect leakage at diaphragm failure

Full rubber flange face in all rubber lined valves as standard

Porousless linings; provides the application engineer with a wide choice of linings of high chemical and abrasion resistance without need of expensive basic metal valve materials

Precise compressor plate; guide and operates the diaphragm up and down



Threaded version

Main Features

Valve design: EN 13397, EN 12516

Face to face length: EN 558 Series 1 (DIN 3202F1) or EN 558 Series 7 (BS 5156)

Valve end connections: - Flanged to EN 1092-2 type 21/B, PN10/16 (DN15-150)*; PN10 (DN200-300)

*(valves DN65 with 4 holes as accepted variant in standard)

option drilling to ASA150#

- Female threaded ends to ISO 228-1 (DIN 259-BSPP)

Marking: EN 19

Pressure Tests: EN 12266-1

Seat leakage rate: Rate A (full seat tightness in both directions)

Inside and outside primer paint layer black color for protection during storage and transport

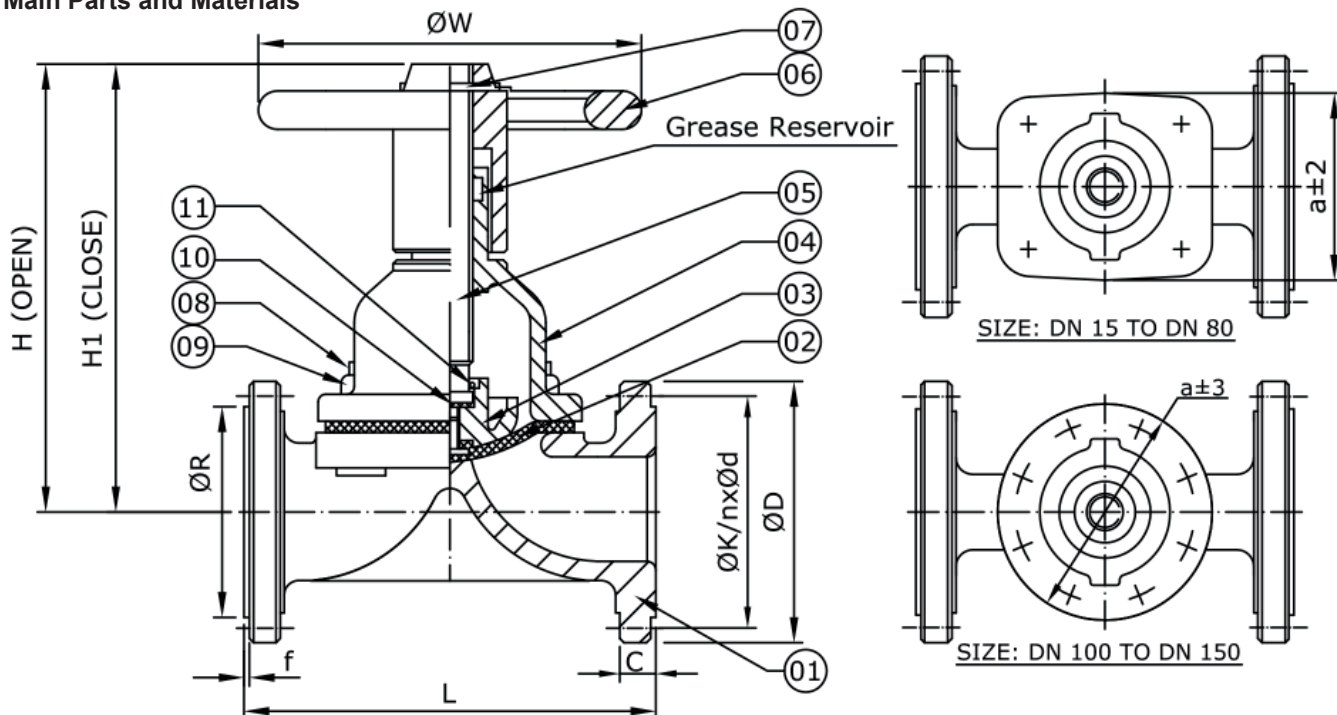
Product compliant with Directive 2014/68/EU on Pressure Equipment (PED) and Machinery Directive 2006/42/EC

Options

Other materials, other ratings and connexions, pneumatic or electric actuator, limit switches, sealed bonnet, interlocking arrangement, padlocking or handwheel hood to avoid non-authorized operation. Please consult us

Unlined valves with flanged ends

Main Parts and Materials



NO.	PART	MATERIAL
1	BODY	WC_ Cast iron EN-JL1040 (GG25)
		WD_ Ductile iron EN-JS1030 (GGG40)
2	DIAPHRAGM	RUBBER Natural (D10) / EPDM (D20) / Butyl (D30) / Nitrile (D40) / Neoprene (D50) / Hypalon (D60) / Viton (D70)
		PTFE + EPDM (D92) / PTFE + Butyl (D93) / PTFE + Viton (D97)
3	COMPRESSOR	Cast iron EN-JL1040 (GG25)
4	BONNET	WC_ Cast iron EN-JL1040 (GG25)
		WD_ Ductile iron EN-JS1030 (GGG40)

NO.	PART	MATERIAL
5	SPINDLE	Steel
6	HANDWHEEL	Cast iron EN-JL1040 (GG25)
7	H/W DOWEL PIN	Steel (EN42)
8	BODY STUDS	Steel
9	BODY NUTS	Steel
10	THRUST WASHER	Nylon
11	COMP. PIN	Steel (EN42)

Main Valve Parameters

	DN	15	20	25	32	40	50	65
L	EN 558 S7 (BS 5156)	108	114	127	146	159	190	216
	EN 558 S1 (DIN 3202 F1)	130	150	160	180	200	230	290
	H (open)	109	117	140	143	172	190	230
	H1 (close)	103	109	130	131	152	166	195
	a	52	67	75	88	110	127	146
	ØW	100	100	120	120	120	164	220
FLANGED ENDS TO EN PN10	ØD	95	105	115	140	150	165	185
	C	14	16	16	18	18	20	20
	ØR	45	58	68	78	88	102	122
	f	2	2	2	2	3	3	3
	nxØd	4x14	4x14	4x14	4x18	4x18	4x18	4x18
	ØK	65	75	85	100	110	125	145
FLANGED ENDS TO ASA150#*	ØD	89	98	108	117	127	152	178
	C	11,5	11,5	11,5	13	14,5	16	17,5
	ØR	35	43	51	64	73	92	105
	f	1,6	1,6	1,6	1,6	1,6	1,6	1,6
	nxØd	4x16	4x16	4x16	4x16	4x16	4x19	4x19
	ØK	60,3	69,8	79,4	88,9	98,4	120,6	139,7
Approx. Weight	EN 558 S7 (BS 5156)	2,3	3,2	4,2	6,4	7,5	12	18
	EN 558 S1 (DIN 3202 F1)	2,7	3,5	4,4	6,6	8,5	12,5	19

*Unless specific agreement with COMEVAL, valves with flanges 150# will be usually supplied as EN/DIN flanges with 150# drilling, since pressure is limited to EN/DIN

Dimensions in mm subject to manufacturing tolerance / Weights in kg

Information / restriction of technical rules need to be observed!
Installation, Operating and Maintenance Manual can be downloaded at www.comeval.es

The engineer, designing a system or a plant, is responsible for the selection of the correct valve
Product suitability must be verified, contact manufacturer for information

Unlined valves with flanged ends

Main Valve Parameters

DN		80	100	125	150	200	250	300
L	EN 558 S7 (BS 5156)	254	305	356	406	521	635	749
	EN 558 S1 (DIN 3202 F1)	310	350	400	480	600	730	850
H (open)		242	326	391	468	680	802	971
H1 (close)		202	275	326	390	560	657	796
a		190	Ø230	Ø265	Ø320	Ø420	Ø502	Ø569
ØW		240	270	270	360	460	600	700
FLANGED ENDS TO EN PN10	ØD	200	220	250	285	340	395	445
	C	22	24	26	26	26	28	28
	ØR	138	158	188	212	268	320	370
	f	3	3	3	3	3	3	4
	nxØd	8x18	8x18	8x18	8x22	8x22	12x22	12x22
FLANGED ENDS TO ASA150#*	ØK	160	180	210	240	295	350	400
	ØD	191	229	254	279	343	406	483
	C	19,5	24	24	25,5	29	30,5	32
	ØR	127	157	186	216	270	324	381
	f	1,6	1,6	1,6	1,6	1,6	1,6	1,6
	nxØd	4x19	8x19	8x22	8x22	8x22	12x22	12x22
ØK	152,4	190,5	215,9	241,3	298,4	361,9	431,8	
Approx. Weight	EN 558 S7 (BS 5156)	23	34	50	69	150	220	300
	EN 558 S1 (DIN 3202 F1)	25	36	52	75	160	235	315

*Unless specific agreement with COMEVAL, valves with flanges 150# will be usually supplied as EN/DIN flanges with 150# drilling, since pressure is limited to EN/DIN

Dimensions in mm subject to manufacturing tolerance / Weights in kg