

Introduction

Diaphragm Valves proved to be the answer to many process engineers' greatest desire of reliability at an acceptable cost of ownership. Of simple and reliable design, diaphragm valves offer secure operation with full leaktight at the plant. The maintenance, when required, is limited to the replacement of the diaphragm, the bolted bonnet design permits to dismantle the valve without removing the valve body from the pipe work.

The body seatless design eases the internal lining, which opens a broad range to inexpensive options to process engineers when selecting materials resistant to corrosion and abrasion duties. Conventional isolating valves would demand expensive exotic materials to resist the effects of severe corrosion whereas a duly lined iron based material can do the job.

DIAVAL portfolio clearly meets the requirements of modern industrial processes and the needs of all engineers. Through constant product development and own polymer research technology, **DIAVAL®** Diaphragm Valves are a reliable alternative to existing costly and expensive to maintain conventional valves.

DIAVAL INTERNATIONAL manufacture one of the largest Diaphragm Valves portfolio comprehensive of body linings, diaphragm grades and actuation currently available in the international market. Your **DIAVAL®** Team is available to guide you along a great cost saving experience.



DIAVAL® range of superior design and major cost saving benefits, for secure and full leaktight operation under the most severe circumstances.

The **DIAVAL®** range is totally interchangeable with other diaphragm valves in the market thus easing the plant choice.

Valve stroke Indicator; a yellow position indicator gives clear and positive valve position from any angle.

Greased for life valve spindle; spindle chamber incorporates a grease reservoir that lubricates the spindle along operations thus avoiding valve spindle jamming. Sealed bonnet arrangements available for toxic and hazardous fluids.

Valve stroke stopper; the bonnet design prevents over closure of the valve thus avoiding early diaphragm rupture.

Ergonomically Design Hand wheel; great comfort and ease of operation. Other operation options such as actuators, padlocks, interlocking, extended spindle and others are available from **DIAVAL®**.

Self draining; Weir valves are self draining when installed at an angle of 20° above horizontal. ST and Full Flow valves are self cleaning with an unobstructed bore.

Diaphragms; wide range of diaphragm materials to meet the needs of today's industrial processes and standards. Resilient diaphragms provides 100% leak-tight shut off and isolates all bonnet parts from the line fluid.

Safety; Optional Sealed bonnet arrangements available for toxic and hazardous fluids, Interlocking arrangement, padlocking and flange sealing coating.

Linings; porous free chemically resistant linings designed to eliminate the need of expensive metals. Wide range of polymers and fluoropolymers available to match all industrial needs. Full face rubber lining removes the need for gaskets unlike spigot face lining.

Body end connections; flanged and screwed ends to meet all European, Imperial and American standards. Other end styles available for the aseptic range.

Design Attributes

Weir Type Diaphragm Valves are linear motion valves, bidirectional, for stopping or regulating the flow of the service fluid when necessary. Valves close by turning the handwheel clockwise. Valves are bolted bonnet, seatless design, with a diaphragm as closure element, with rising handwheel. Valves are offered with a broad range of diaphragms and linings materials to resist to abrasion and corrosion duties. The valves are inexpensive and easy to maintain, being the optimal solution for a large number of applications.

Yellow position indicator, for clear and positive valve position from any angle

Nameplate incl. batch no. for full traceability

Closure Diaphragms; manufactured from elastomeric and fluorocarbon materials; provide 100% seating tightness in both directions while isolating the valve trim from fluid. Wide choice of polymers to satisfy any industrial application

Ergonomic and rugged rising handwheel

Grease reservoir integrated in the spindle chamber that lubricates the spindle along operations thus avoiding valve spindle jamming

Witness hole to detect leakage at diaphragm failure

Full rubber flange face in all rubber lined valves as standard

Porousless linings; provides the application engineer with a wide choice of linings of high chemical and abrasion resistance without need of expensive basic metal valve materials

Precise compressor plate; guide and operates the diaphragm up and down



Threaded version

Main Features

Valve design: EN 13397, EN 12516

Face to face length: EN 558 Series 1 (DIN 3202F1) or EN 558 Series 7 (BS 5156)

Valve end connections: - Flanged to EN 1092-2 type 21/B, PN10/16 (DN15-150)*; PN10 (DN200-300)

*(valves DN65 with 4 holes as accepted variant in standard)

option drilling to ASA150#

- Female threaded ends to ISO 228-1 (DIN 259-BSPP)

Marking: EN 19

Pressure Tests: EN 12266-1

Seat leakage rate: Rate A (full seat tightness in both directions)

Inside and outside primer paint layer black color for protection during storage and transport

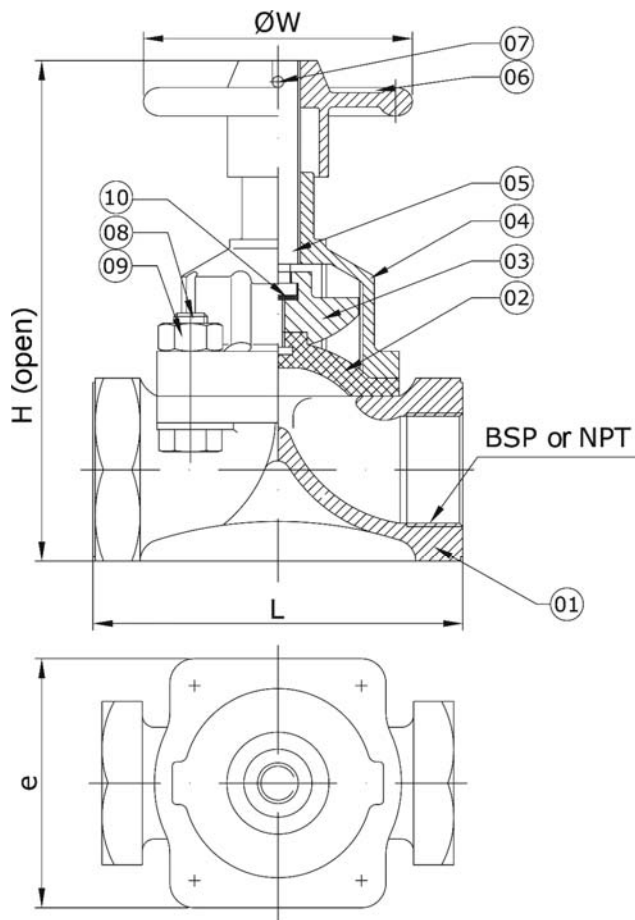
Product compliant with Directive 2014/68/EU on Pressure Equipment (PED) and Machinery Directive 2006/42/EC

Options

Other materials, other ratings and connexions, pneumatic or electric actuator, limit switches, sealed bonnet, interlocking arrangement, padlocking or handwheel hood to avoid non-authorized operation. Please consult us

Unlined threaded valves

Main Parts and Materials



NO.	PART	MATERIAL
1	BODY	WC_ Cast iron EN-JL1040 (GG25)
		WD_ Ductile iron EN-JS1030 (GGG40)
		WS_ St. steel
2	DIAPHRAGM	Natural (D10) / EPDM (D20) / Butyl (D30) / Nitrile (D40) / Neoprene (D50) / Hypalon (D60) / Viton (D70)
		PTFE + EPDM (D92) / PTFE + Butyl (D93) / PTFE + Viton (D97)
3	COMPRESSOR	Cast iron EN-JL1040 (GG25)
4	BONNET	WC_ Cast iron EN-JL1040 (GG25)
		WD_ Ductile iron EN-JS1030 (GGG40)
		WS_ St. steel
5	SPINDLE	Steel
6	HANDWHEEL	Cast iron EN-JL1040 (GG25)
7	H/W DOWEL PIN	Steel (EN42)
8	BODY STUDS	Steel
9	BODY NUTS	Steel
10	THRUST WASHER	Nylon

Main Valve Parameters

DN		10	15	20	25	32	40	50	65	80
L	(1)	50	66	85	110	124	140	165	203	254
	(2)	-	108	117	127	146	159	190	-	-
H (open)	(1)	70	70	105	122	148	155	183	212	256
	(2)	-	106	117	141	152	176	196	-	-
ØW	(1)	45	75	75	85	120	120	120	165	230
	(2)	-	100	100	120	120	120	164	-	-
e		72	72	72	89	89	89	115	130	170
Approx. Weight		1,2	1,5	2	3,2	4	6	8	11	18

(1) Standard dimensions for cast and ductile iron valves
 (2) Standard dimensions for st. steel valves

Dimensions in mm subject to manufacturing tolerance / Weights in kg